



**EVOTECH**®  
P E R F O R M A N C E

**Installation Instructions**

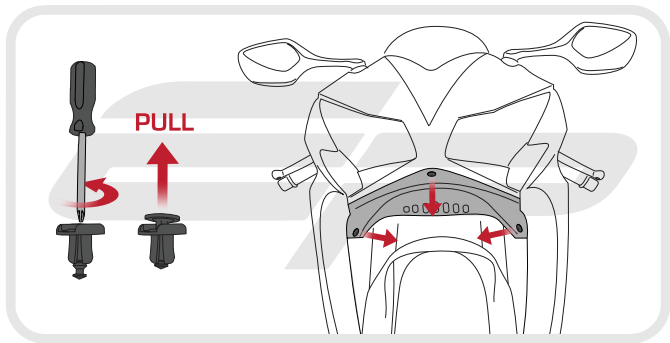


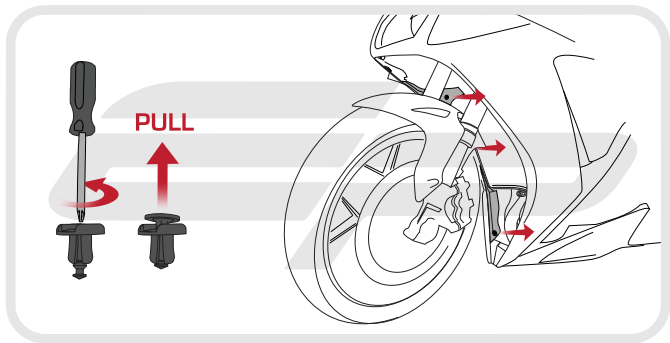
## HONDA CBR1000RR 2008 ONWARDS RADIATOR GUARD

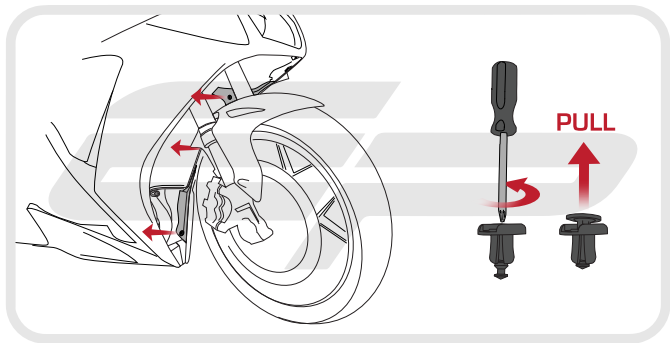
Product Reference - 8095

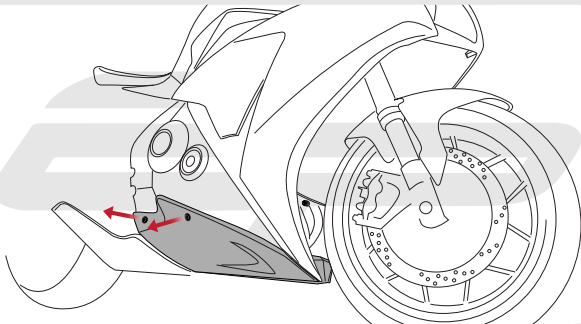
### Kit Contents

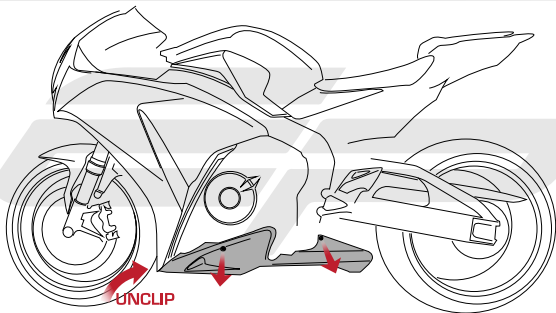
- Ⓐ 1 x Radiator Guard
- Ⓑ 2 x Cable Ties
- Ⓒ 10 x 50mm Neoprene Strips







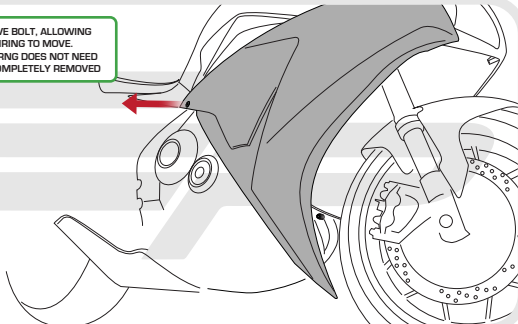




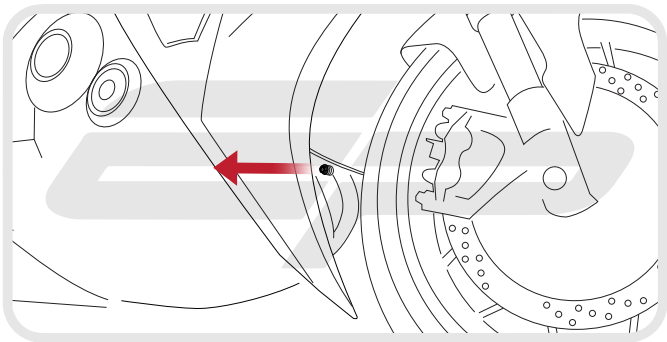


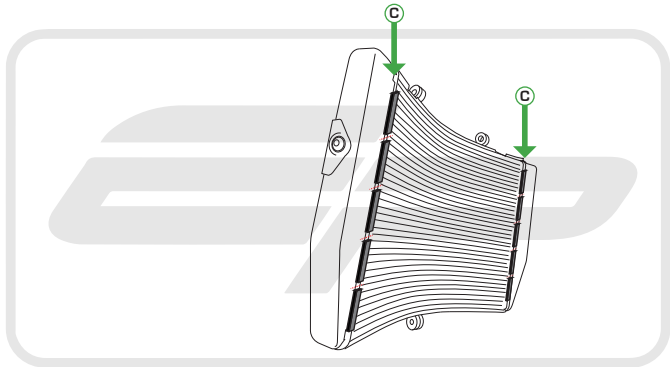
Caution

REMOVE BOLT, ALLOWING  
FAIRING TO MOVE.  
THE FAIRING DOES NOT NEED  
TO BE COMPLETELY REMOVED



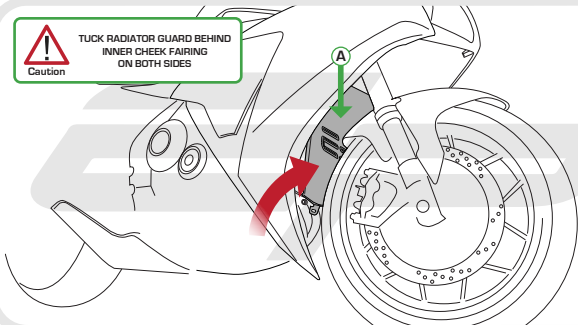


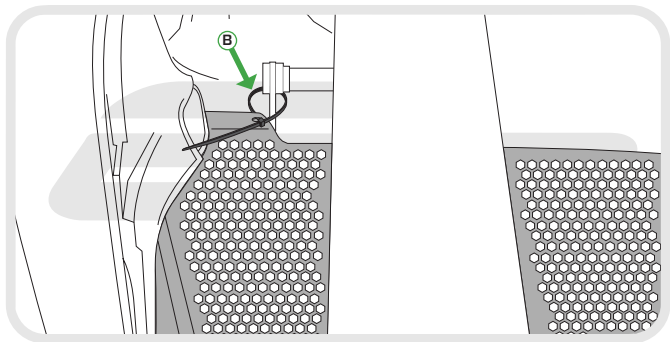




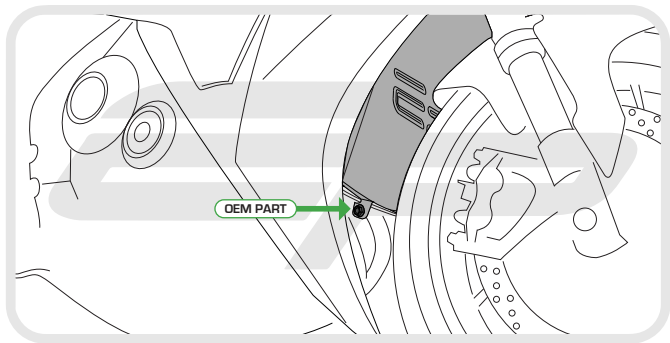


TUCK RADIATOR GUARD BEHIND  
INNER CHEEK FAIRING  
ON BOTH SIDES





**EVOTECH**<sup>®</sup>  
P E R F O R M A N C E





Reverse Stages

6 - 1



### Maintenance

It is recommended that periodic inspections are made to ensure that dirt and debris have not become trapped between the guard and the radiator/oil cooler. Such dirt and debris would reduce the cooling efficiency of the radiator/oil cooler



**EVOTECH**<sup>®</sup>  
P E R F O R M A N C E

[www.evotech-performance.com](http://www.evotech-performance.com)